

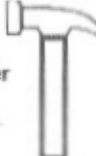

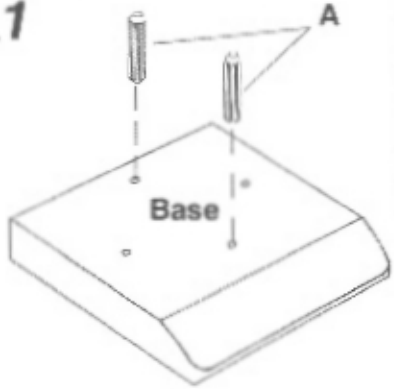
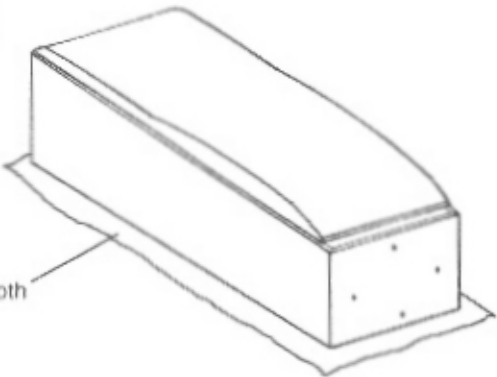
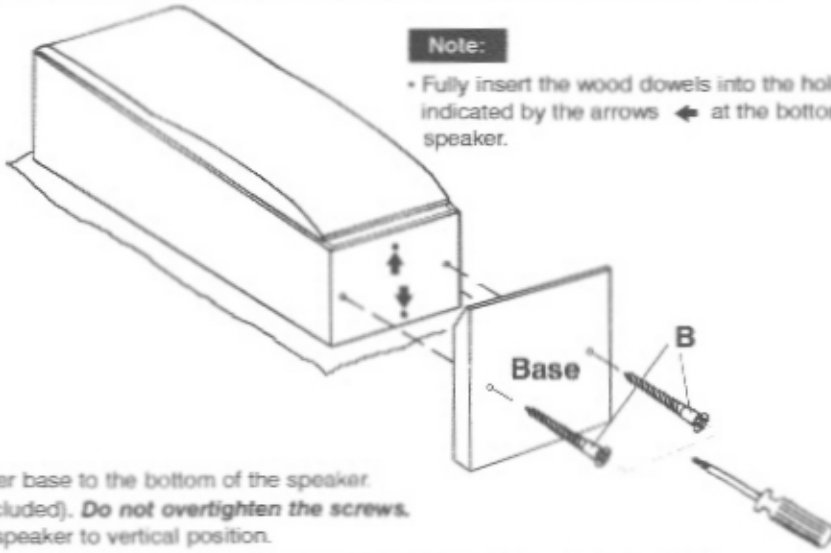


## Assembly instructions for speaker base Speaker SB-MP481

**ATTENTION: DO NOT DISCARD PACKAGING. PARTS INSIDE**

Assembly hardware		Tools required	
 Wood dowels (x2)	 Screws (x2)	 Hammer	 Phillips Screwdriver
<p><b>STEP 1</b></p>  <p style="text-align: center;">Base</p> <p>• Insert the wood dowels into the holes shown. If necessary, tap slightly with a hammer.</p>		<p><b>STEP 2</b></p>  <p style="text-align: center;">Cloth</p> <p>• To prevent damage to the speaker, carefully lay the speaker on top of a soft cloth or blanket, before attaching the base.</p>	
<p><b>STEP 3</b></p>  <p style="text-align: center;">Base</p> <p style="text-align: center;">B</p> <p><b>Note:</b></p> <ul style="list-style-type: none"> <li>Fully insert the wood dowels into the holes indicated by the arrows ← at the bottom of the speaker.</li> </ul> <p>• Attach the speaker base to the bottom of the speaker. Use 2 screws (included). <b>Do not overtighten the screws.</b> Carefully, lift the speaker to vertical position.</p>			

LU

Panasonic Consumer Electronics  
Company, Division of Matsushita  
Electric Corporation of America  
One Panasonic Way Secaucus,  
New Jersey 07094  
<http://www.panasonic.com>

Panasonic Sales Company,  
Division of Matsushita Electric of  
Puerto Rico, Inc. ("PSC")  
Ave. 65 de Infantería, Km. 9.5  
San Gabriel Industrial Park, Carolina,  
Puerto Rico 00985

En